



YOUR GRIP™

18" STEERING WHEELS

For 2012-2021 Peterbilt 579 & 2013-2021 Kenworth T680

- Features genuine perforated leather design
- Ergonomic contoured grip for maximum comfort and control
- Heavy duty aluminum center with 36-spline mounting adapter, direct drop-in install to steering shaft
- Flat bottom design for modern sporty styling
- Compatible with original center horn pad, same mounting points, simply push button into place
- Steering wheel trim sold separately, available in chrome & black
- Fits all Peterbilt 579 and Kenworth T680 models with or without steering wheel controls

88189	Steering Wheel - Wood	1 Pc. / Cbox
88190	Steering Wheel - Leather & Wood	1 Pc. / Cbox



#88190



Genuine Leather



Fits OE Horn Pad



Ergonomic Grip



Customizable Trim



T 866.327.5288 | F 888.986.6088 | UPtruckparts.com



HORN BEZEL TRIM

For United Pacific YourGrip Peterbilt 579 steering wheels

- Quality injection molded plastic
- Designed specifically for United Pacific's YourGrip Peterbilt 579 steering wheels
- Includes removable steering wheel control blank covers
- For models equipped with original steering wheel controls, simply unscrew the blank covers and screw the controls into place

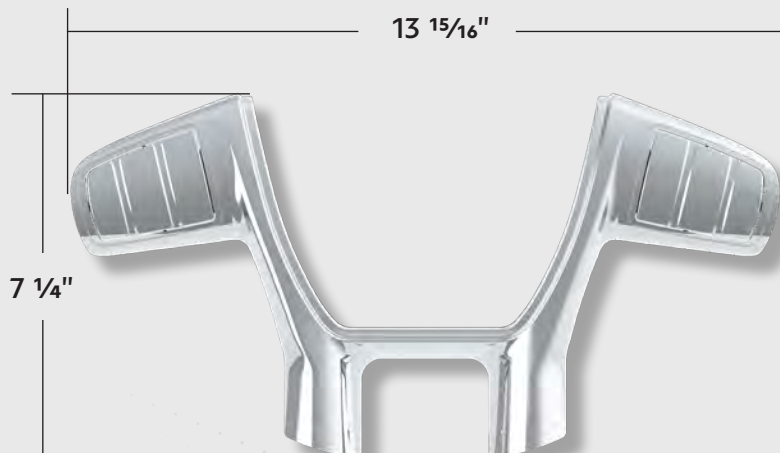
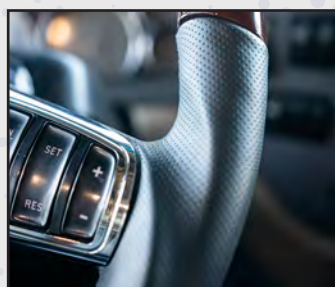
88191	Horn Bezel Trim	Chrome	1 Pc. / Card
88192	Horn Bezel Trim	Black	1 Pc. / Card

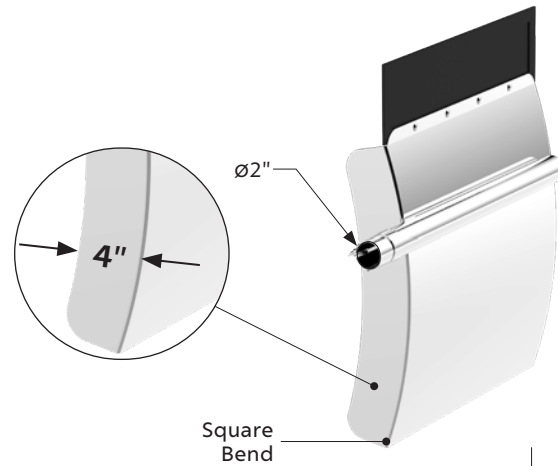
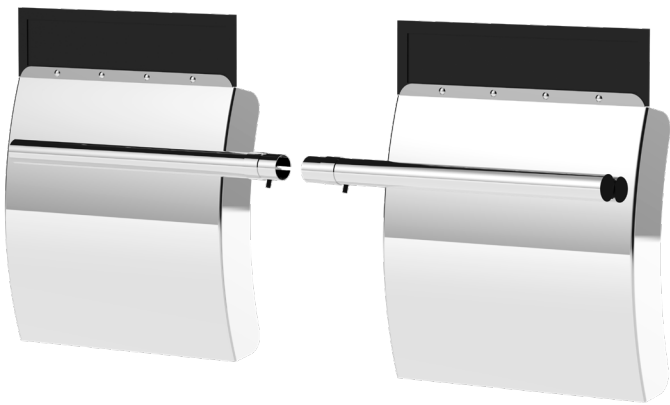


**Fits OE
Horn Pad**



**Customizable
Trim**



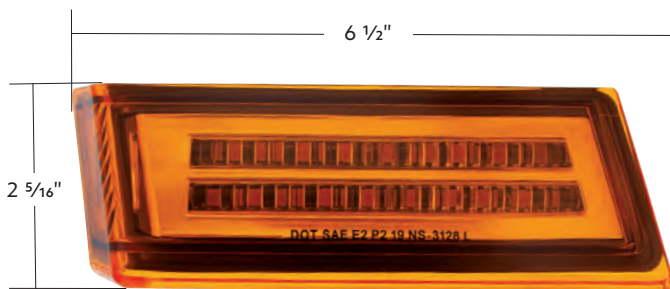
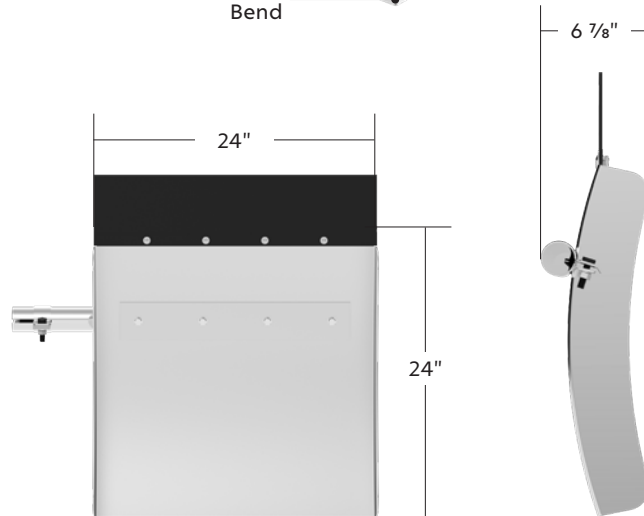


24"X24" 430 Stainless Steel Quarter Fender W/ Tube Bracket Set - 4" Side Wall

Quarter Fender with Tube Bracket Set & 4" Side Wall

- Highly polished 18 gauge 430 stainless steel
- Heavy duty stainless steel tube bracket
- Straight side wall design with small corner radius for that custom look
- Quality zinc plated mounting hardware
- Top mounted rubber mud flap

10906 Quarter Fender with Tube Bracket 1 Pc. / Box



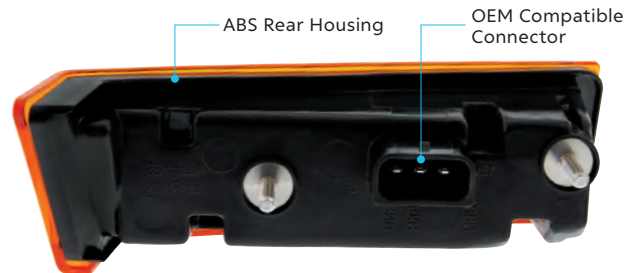
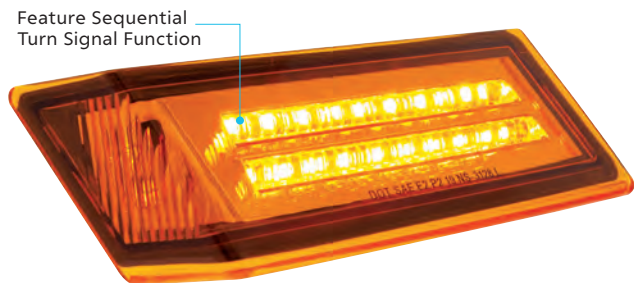
35 LED Sequential Turn Signal Light

2018-2022 Freightliner Cascadia

- High quality acrylic type lens with ABS rear housing
- Bright amber LEDs with dual light bar design
- Feature sequential turn signal function
- Easy plug-in design with OEM style connector
- Easy installation with OE type mounting studs & position
- IP67 water resistant

36000 Driver Amber LED/Amber Lens 1 Pc. / Card

36001 Passenger Amber LED/Amber Lens 1 Pc. / Card



COMPETITION SERIES

LED Projector Fog Light

2013-2022 Kenworth 1st Gen T680

- High quality injection molded polycarbonate lens
- Rugged die cast aluminum housing provides maximum protection from vibration and the elements
- Features single bright 5500K CREE type LED, rated output at 500 lumens
- Special redesigned mounting bracket, fits both driver and passenger side
- Easy plug-in design with OE style electrical terminal
- DOT/SAE, FMVSS 108, IP67 rated
- 12V DC applications

35871	Chrome LED Fog Light	1 Pc. / Card
35872	Black LED Fog Light	1 Pc. / Card



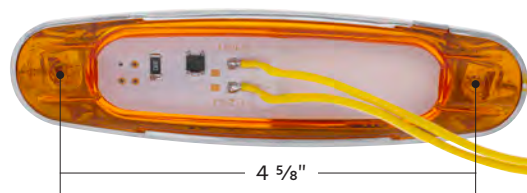
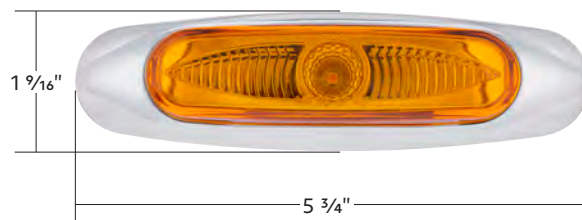
ViperEye

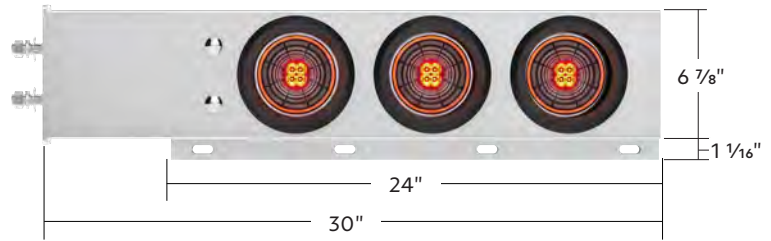
5-3/4" Wide 3 LED ViperEye Light (Clearance/Marker)

3 LED Reflector Marker Light

- High quality chrome finish for durability and shine
- Polycarbonate lens sonically sealed to housing to prevent moisture intrusion
- Features 3 bright SMD type LEDs with chrome inner reflective housing
- Unique snake Viper eye effect when powered on
- Beautiful chrome plated snap-on front cover
- Surface mount, 4-5/8" center to center spacing between 2 mounting holes
- 12VDC, hardwired with 2 wire leads, special electrical design, either wire can be positive or negative
- DOT/SAE, P2
- IP67 water resistant

35995	Amber LED	Amber Lens	1 Pc. / Card
35996	Red LED	Red Lens	1 Pc. / Card
35997	Amber LED	Clear Lens	1 Pc. / Card
35998	Red LED	Clear Lens	1 Pc. / Card



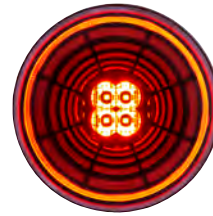


2-1/2" Bolt Pattern SS Spring Loaded Bar With Six 4" 13 LED Abyss Lights (Pair)

Abyss Light

- Highly polished 430 stainless steel finish for durability and shine
- Pre-assembled and wiring with six unique United Pacific LED Abyss lights
- 2-1/2" Center to center mounting bolt pattern

61013	Red LED/Clear Lens with Visor	2 Pc. / Cbox
61016	Red LED/Clear Lens with Grommet	2 Pc. / Cbox



Red LED with Clear Lens



with Visor



with Grommet

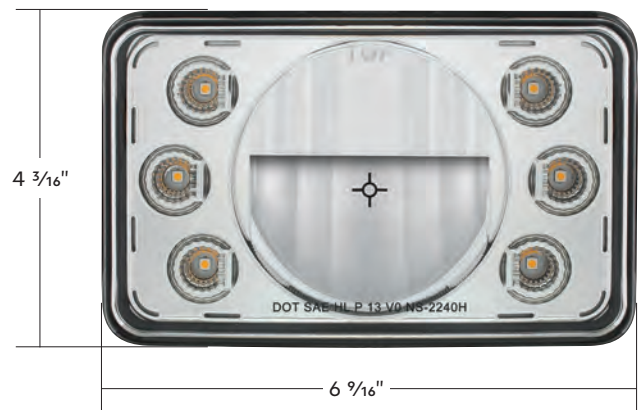
ULTRALIT™ BACK IN STOCK

4"X6" LED Headlight With Dual Function 6 Amber LED Position Lights - High Beam

ULTRALIT

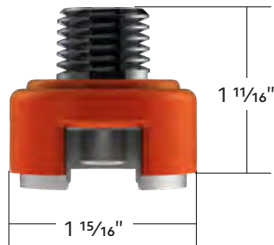
- Improves visibility with whiter light output that is closer to daylight
- Impact resistant polycarbonate lens provides unparalleled protection from road hazards
- Solid state design resists shock and vibration
- Die-cast aluminum housing provides maximum protection from the elements
- Load resistor may be required for proper installation, item # 34205
- Application: 12-24V DC input 0.35 amps/8.5 watt
- High beam module only

31238	4"X6" Headlight/6 Amber LED	1 Pc. / Cbox
--------------	-----------------------------	--------------



FLYER: UN221125

13/15/18 Speed



M30X3.5 Thread-On Shift Knob Mounting Adapter 13/15/18 Shifter

Eaton Fuller Style 13/15/18 Shifter

- Quality die-cast zinc thread-on type adapter
- Premium automotive paint in vibrant candy colors, bold effects and dazzling color
- Fits UPI shift knobs or handles with M30X3.5 female thread
- Includes 13/15/18 speed inner mounting base with cover-to-base mounting screw
- Not compatible w/ models equipped w/ D-shape shift knobs

70776B	Chrome	1 Pc. / Card
71023	Cadmium Orange	1 Pc. / Card
71024	Indigo Blue	1 Pc. / Card
71025	Emerald Green	1 Pc. / Card
71026	Candy Red	1 Pc. / Card
71027	Liquid Silver	1 Pc. / Card
71028	Pearl White	1 Pc. / Card
71029	Electric Yellow	1 Pc. / Card



Thread-On



70776B



71023



71024



71025



71026



71027

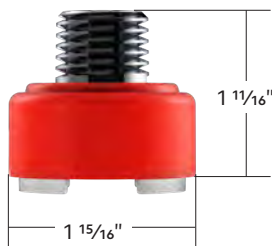


71028



71029

9/10 Speed



M30X3.5 Thread-On Shift Knob Mounting Adapter 9/10 Shifter

Eaton Fuller Style 9/10 Shifter

- Quality die-cast zinc thread-on type adapter
- Premium automotive paint in vibrant candy colors, bold effects and dazzling color
- Fits UPI shift knobs or handles with M30X3.5 female thread
- Includes 9/10 speed inner mounting base with cover-to-base mounting screw
- Not compatible w/ models equipped w/ D-shape shift knobs

70777B	Chrome	1 Pc. / Card
71030	Cadmium Orange	1 Pc. / Card
71031	Indigo Blue	1 Pc. / Card
71032	Emerald Green	1 Pc. / Card
71033	Candy Red	1 Pc. / Card
71034	Liquid Silver	1 Pc. / Card
71035	Pearl White	1 Pc. / Card
71036	Electric Yellow	1 Pc. / Card



Thread-On



70777B



71030



71031



71032



71033



71034

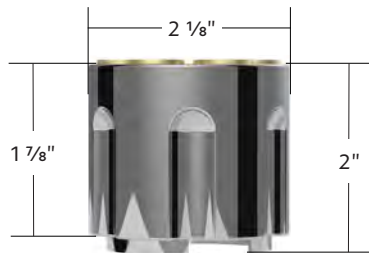


71035



71036

9/10 Speed



Gun Cylinder 9/10 Speed Gearshift Knob

9/10 Speed Gearshift

- Heavy duty solid aluminum construction ensures strength and durability
- Direct screw-on install, use the two existing mounting screws from original shift knob
- Highly detailed revolver cylinder design

70228	Chrome	1 Pc. / Card
70849	Matte Black	1 Pc. / Card
70850	Cadmium Orange	1 Pc. / Card
70851	Indigo Blue	1 Pc. / Card
70852	Emerald Green	1 Pc. / Card
70853	Candy Red	1 Pc. / Card
70854	Liquid Silver	1 Pc. / Card
70855	Pearl White	1 Pc. / Card
70856	Electric Yellow	1 Pc. / Card



70228



70849



70850



70851



70852



70853



70854



70855



70856



Eagle Air Valve Knob

3D Eagle Face Design

- Heavy duty zinc diecast construction ensures strength and durability
- Highly detailed 3D eagle face design
- Premium automotive paint in vibrant candy colors, bold effects and dazzling color
- Matching gearshift covers, shifter shaft extensions, steering wheel spinners and horn bezels available separately

23700	Chrome	1 Pc. / Card
23704	Matte Black	1 Pc. / Card
71044	Cadmium Orange	1 Pc. / Card
71045	Indigo Blue	1 Pc. / Card
71046	Emerald Green	1 Pc. / Card
71047	Candy Red	1 Pc. / Card
71048	Liquid Silver	1 Pc. / Card
71049	Pearl White	1 Pc. / Card
71050	Electric Yellow	1 Pc. / Card



23700



23704



71044



71045



71046



71047



71048



71049



71050

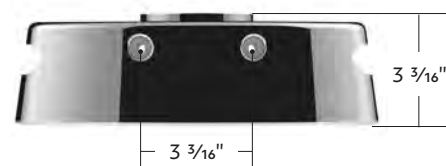
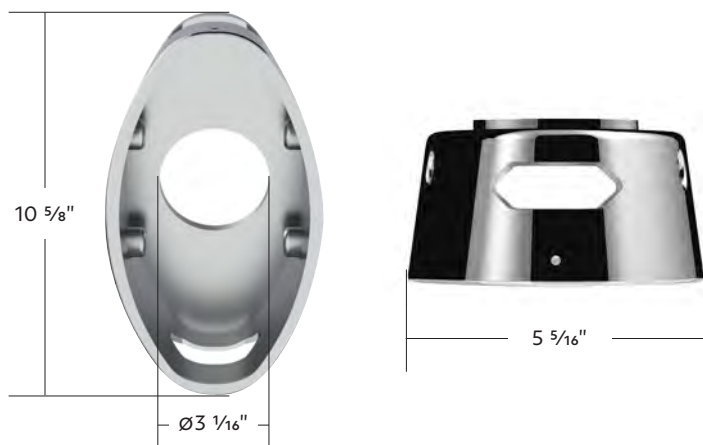


Chrome Plastic Upper Steering Column Cover

2002-2005 Kenworth W900/T800/T600/T300

- Chrome plated finish with triple chrome plating process
- Quality injection molded plastic for durability
- Easy install with original mounting hole positions

40902 Upper Steering Column Cover 1 Pc. / Cbox

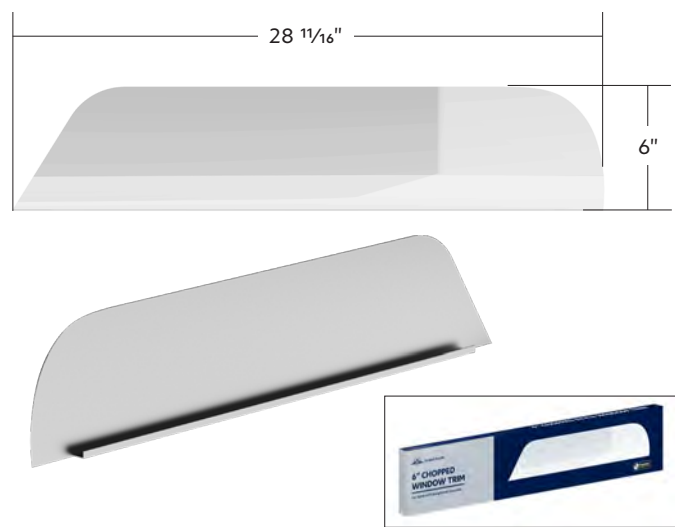


Chrome Plastic Upper Steering Column Cover

Peterbilt 379/378 (1998-2005), 335 (2005-2010), 330 (2000-2010)

- Beautiful chrome plated injection molded plastic
- Feature top and bottom covers
- Original style for easy and straight forward installation

21709 Upper Steering Column Cover 1 Pc. / Each



Stainless 6" Chopped Window Trim

2008-2017 Freightliner Cascadia

- Made with 18-gauge 304 premium grade stainless steel
- Highly polished front surface
- Easy to install with pressure sensitive adhesive mounting
- Includes 1 piece left-hand trim, 1 piece right-hand trim

29099 6" Chopped Window Trim 1 Pc. / Cbox



8-1/2" Stainless Steel Heated 320R Convex Mirror - Centered Mounting Stud

Heated 320R Convex Mirror

- 430 grade stainless steel housing
- 320R contour radius convex mirror glass
- Features heated lens function, wiring required
- Helps to improve visibility and reduce accidents
- Universal application, left or right hand installation
- Center mounting stud with bracket

60024 SS 8-1/2" Heated Convex Mirror 1 Pc. / CBox



7"X16" West Coast Style Mirror With Stainless Housing - Heated

West Coast Style

- Highly polished 430 stainless steel
- Large mirror surface helps improve visibility and reduces accidents
- 5/16" Mounting studs with fasteners included

60026 SS 7"X16" Heated Mirror 1 Pc. / Cbox

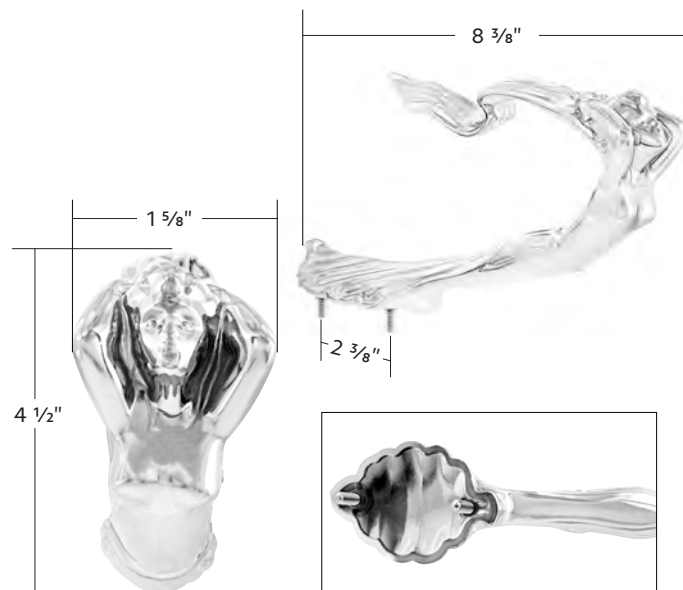


Matte Black Die-Cast Swan Hood Ornament

Matte Black Die-Cast

- Exceptional details and sturdy cast metal construction
- Perfect as hood ornament
- Universal two stud installation, installs anywhere
- Mounting studs are approximately 2-1/2" apart center to center
- Mounting hardware included

72016 Matte Black 1 Pc. / Cbox



Chrome Die-Cast Flying Goddess Hood Ornament

Chrome Die-Cast

- Chrome plated finish with triple chrome plating process
- Quality die-casting with highly detailed flying goddess figure
- Easy installation on any vehicle with two studs

72019 Chrome 1 Pc. / Each